
Intermot Hydraulic Motors
IAM+ Series

H5 Models

IAM+ 1200 – 1400 – 1600 – 1800 – 2000 – 2200 H5

INDEX

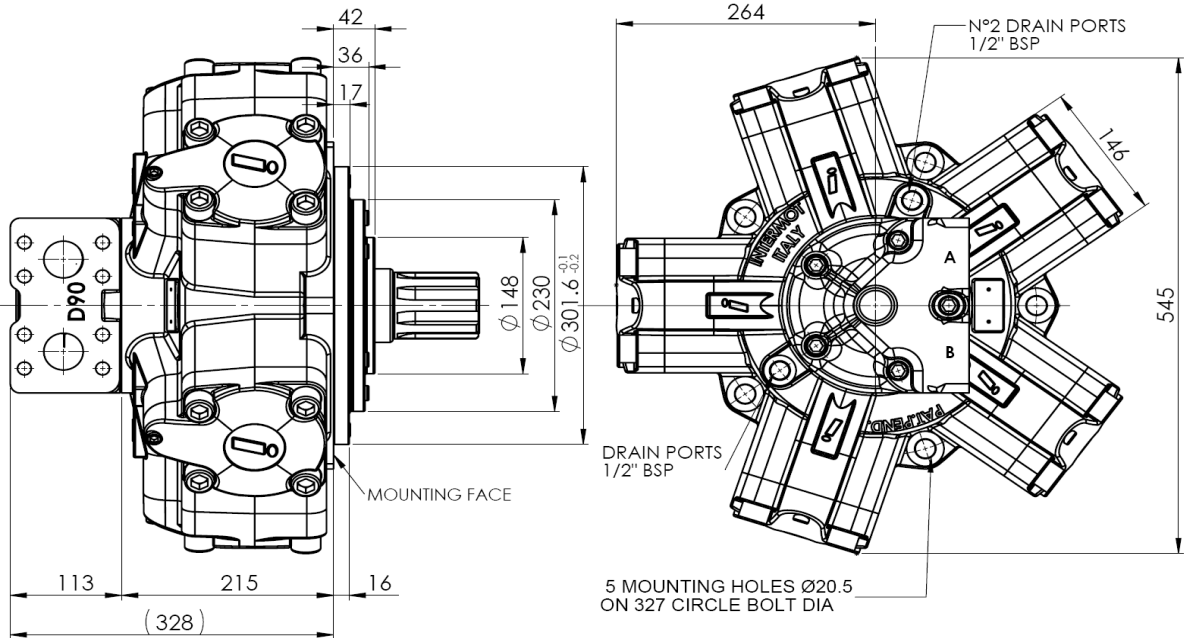
TECHNICAL DATA	Pag. 50
IAM+ 1200 - 1400 - 1600 - 1800	
2000 - 2200 H5	Pag. 51
GRAPHIC PERFORMANCES	Pag. 52
ORDERING INSTRUCTIONS	Pag. 57

MODEL		N° of pistons	Displacement	Specific Torque	Pressure			Speed		Max Power		Dry Mass	Max case pressure	Max back pressure	Temperature range	Minimum speed	Inertia moment of rotating parts
					Max Cont.	Max Int.	Peak	Max Cont.	Peak								
			cm ³ /rev	Nm/bar	bar			rpm		hp	kW	kg	bar	bar	°C	rpm	kg cm ²
IAM+ H5	1200	5	1232	19.6	300	350	400	300	350	193	144	173	6	70	-30 +70	0.5	697
	1400		1376	21.9	300	350	400	300	350	193	144	173					
	1600		1690	26.9	300	350	400	300	340	193	144	173					
	1800		1816	28.9	300	350	400	250	300	193	144	173					
	2000		2127	33.9	300	350	400	230	260	193	144	173					
	2200		2221	35.3	300	350	400	220	240	193	144	173					

IAM+ H5

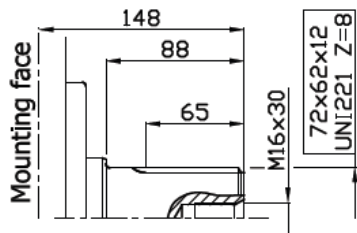
Dimensional drawings

IAM+ 1200 – 1400 – 1600 – 1800 – 2000 – 2200 H5

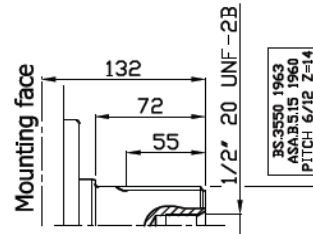


SHAFTS

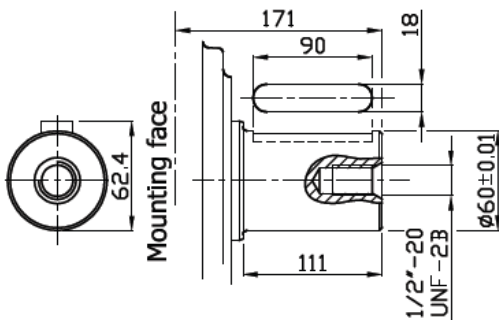
A0: Standard splined shaft



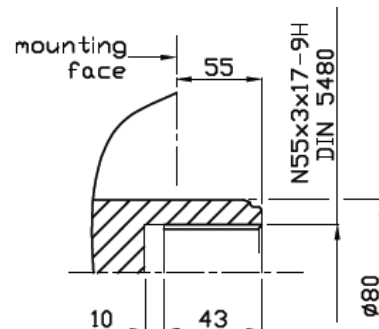
A1: Splined shaft on request



A2: Parallel shaft on request

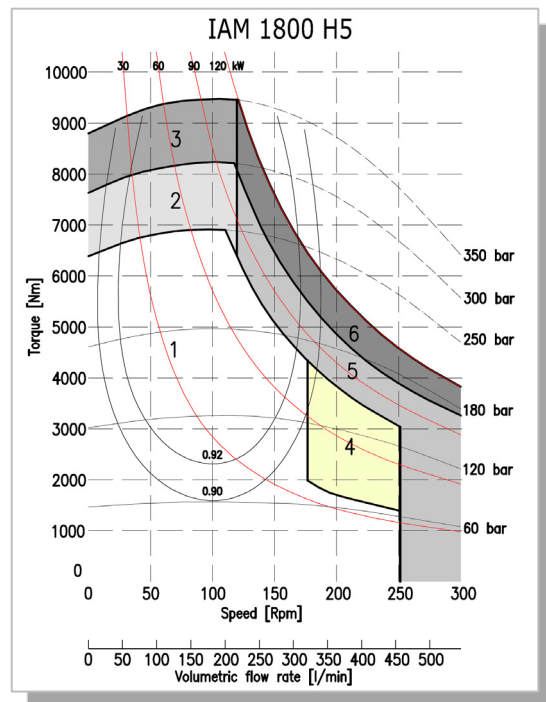
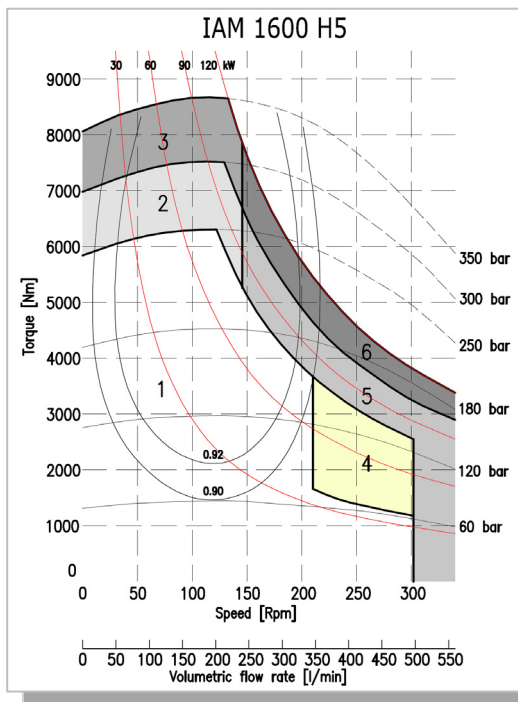
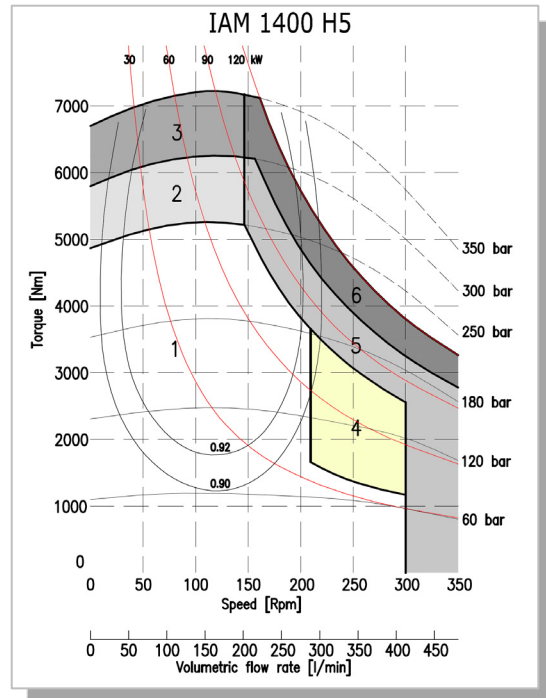
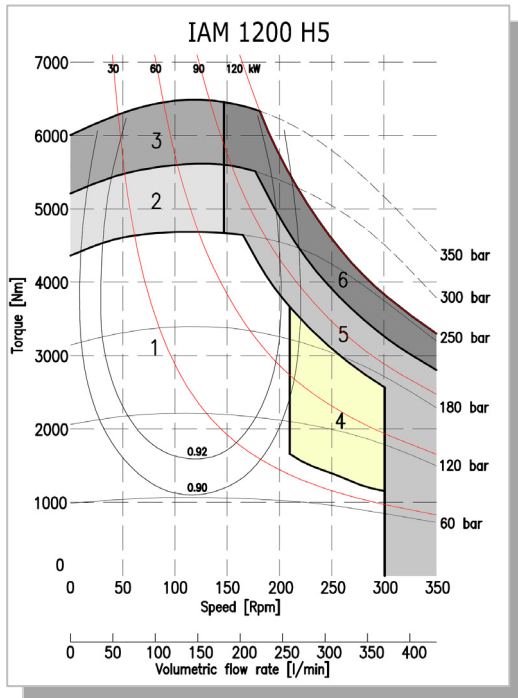


A3: Female shaft on request



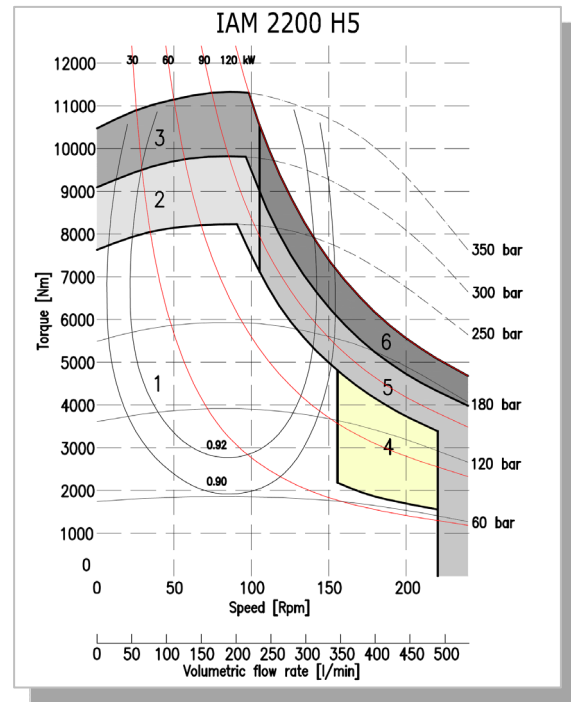
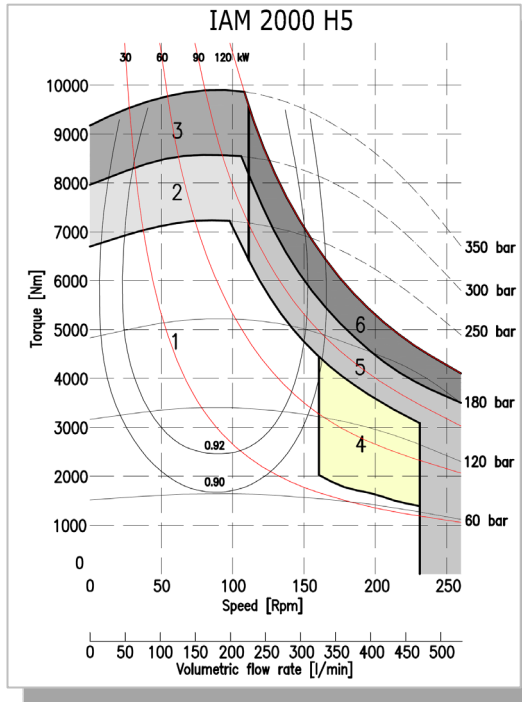
IAM+ H5

Power charts



IAM+ H5

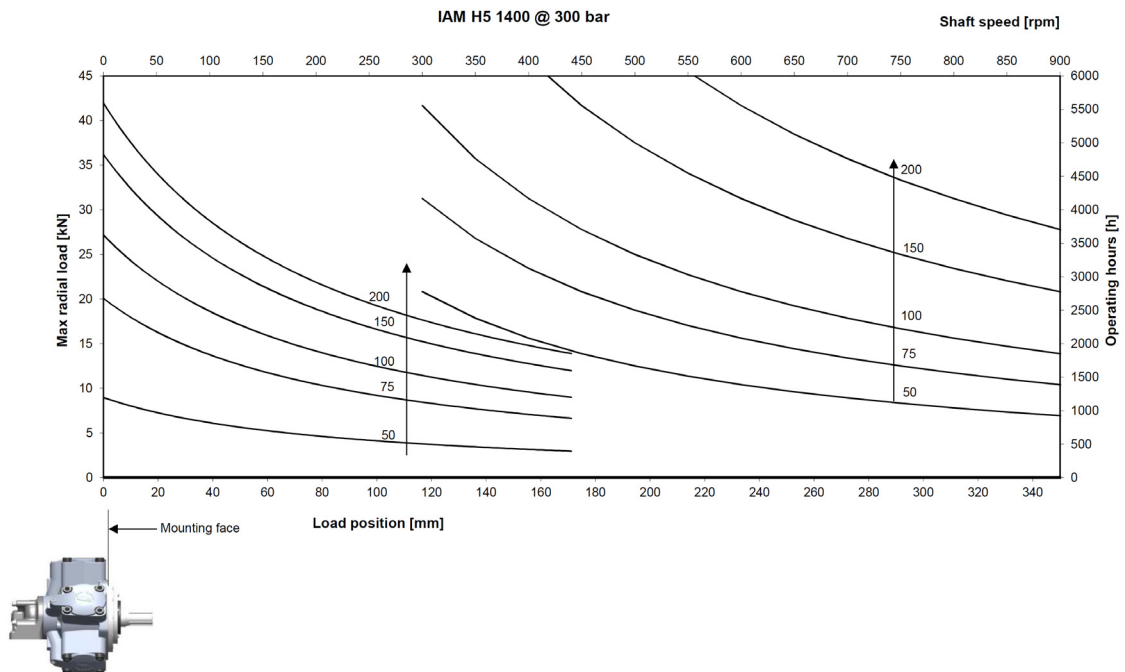
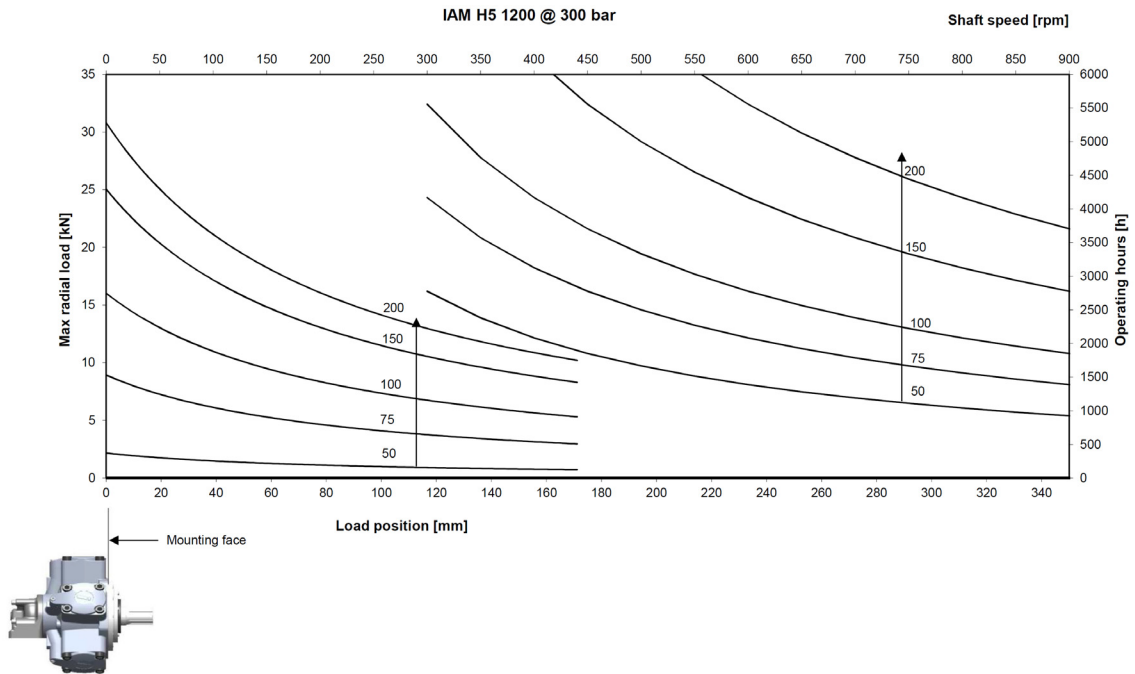
Power charts



1	Continuous operation	4	Continuous operation with flushing
2	Intermittent operation for period 3-5 minutes every 10-15 minutes	5	Intermittent operation for period 3-5 minutes every 10-15 minutes with flushing
3	Intermittent operation for very short period (3-5 seconds every 10-15 minutes)	6	Intermittent operation for very short period (3-5 seconds every 10-15 minutes) with flushing

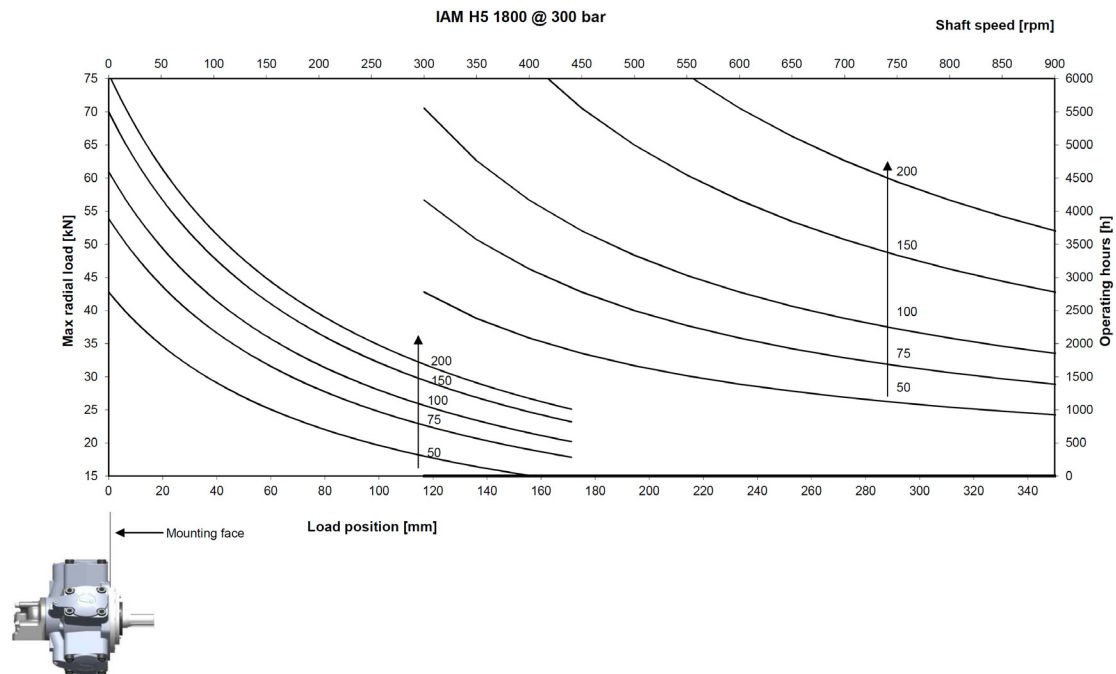
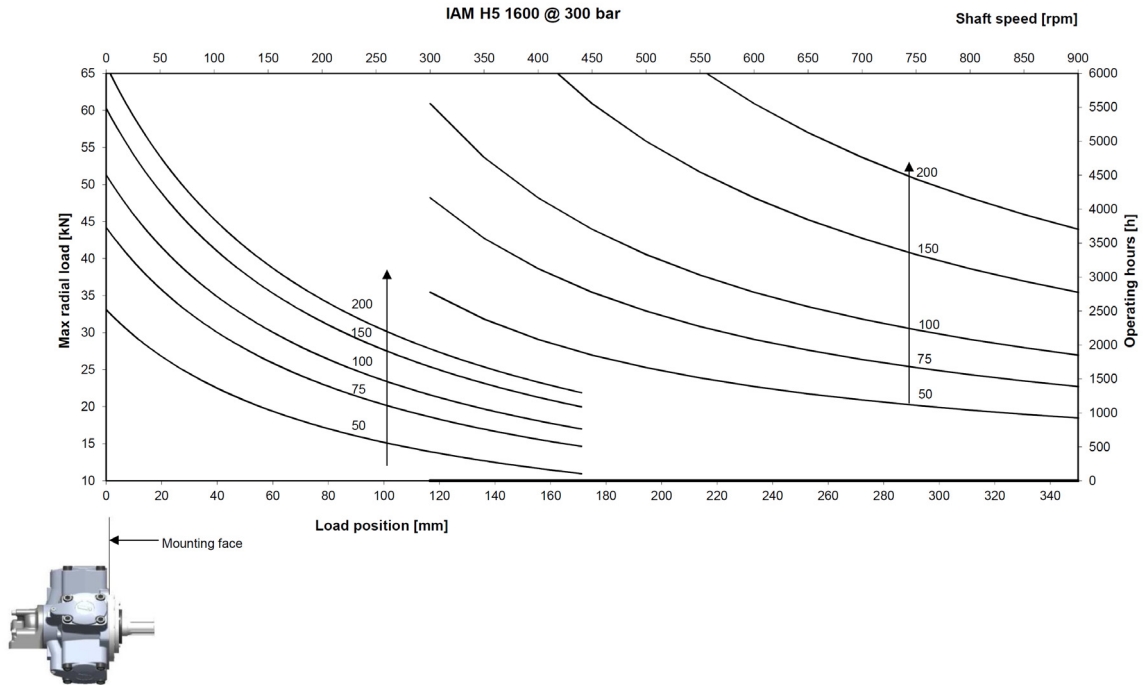
IAM+ H5

Side load charts



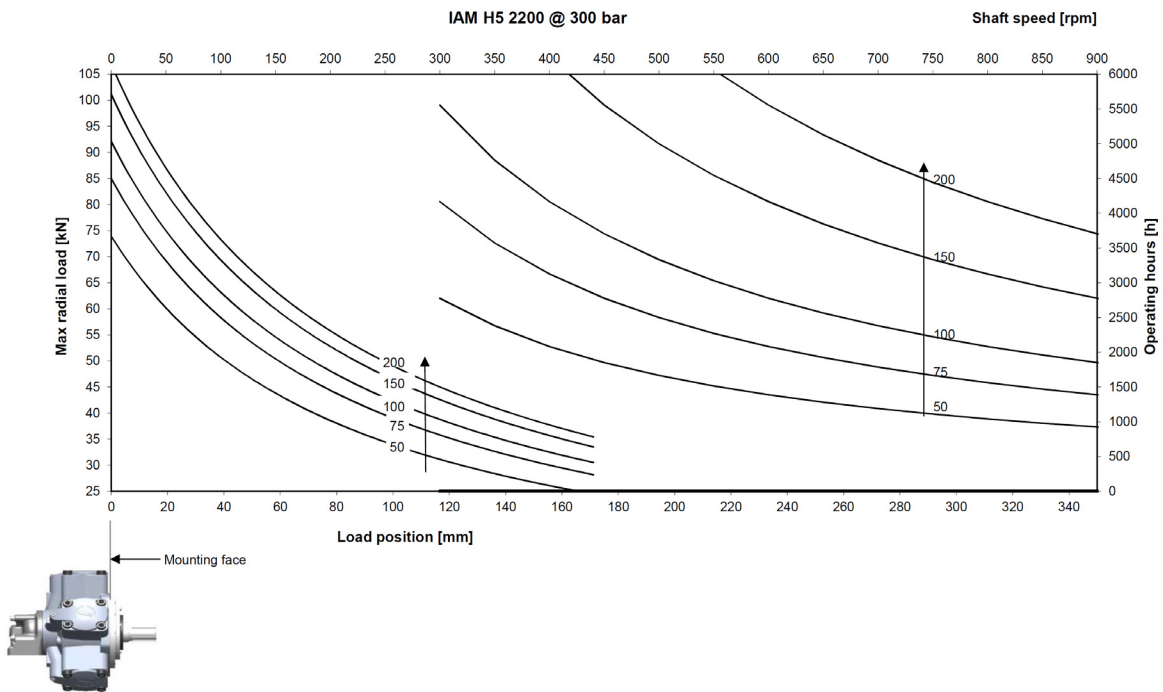
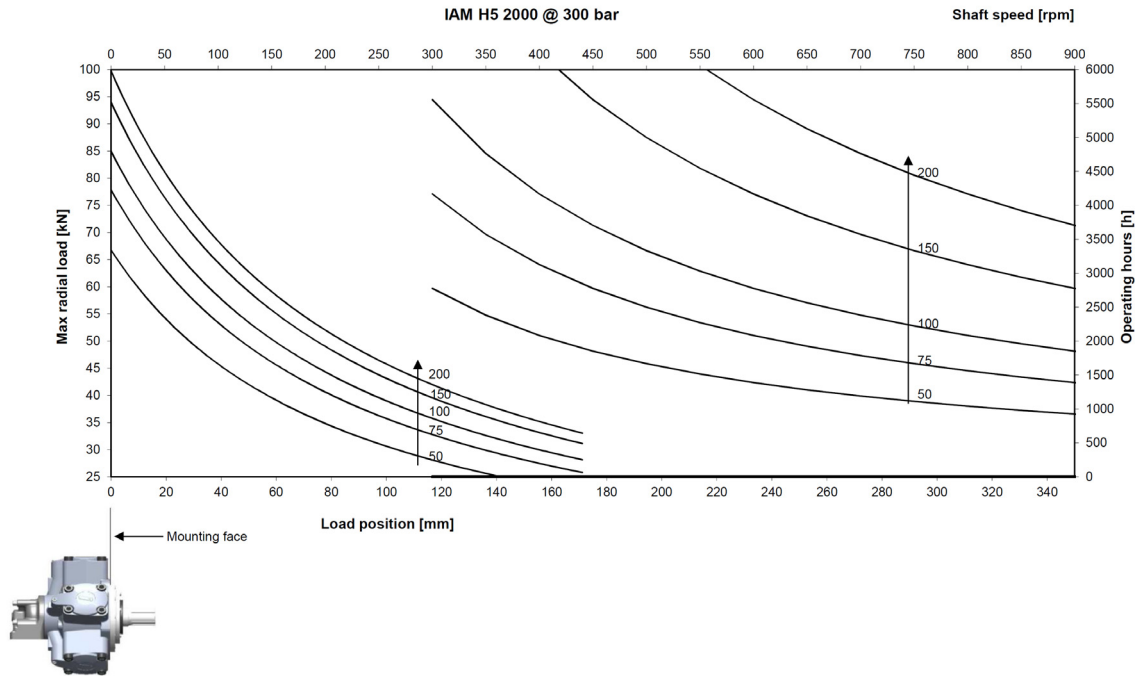
IAM+ H5

Side load charts



IAM+ H5

Side load charts



IAM+ H5

Ordering instructions

IAM+	---	H5	A _	D _ _	--	SB _ _
Model						
Displacement						
1200 cc/rev						
1400 cc/rev						
1600 cc/rev						
1800 cc/rev						
2000 cc/rev						
2200 cc/rev						
Housing						
			Shaft			
A0 – Standard splined shaft						
A1 – Special splined shaft						
A2 – Parallel keyed shaft						
A3 – Female shaft						
				Distributor		
D90 – SAE 1 ½ “ 6000 psi flange						
					Tachometer	
K						
TA						
TB						
EST						
						Spline billet
SB6 – 62 UNI 221						
SB7 – BS 3550 14 T 6/12						

EXAMPLE : IAM+ 1800 H5 A0 D90

IAM+ 2000 H5 A1 D90 TA SB6